

INSTRUCTIONS FOR ORDERING PARTS

All service parts should be ordered through your authorized H&S dealer. He will be able to give you faster service if you will provide him with the following:

1. Model & Serial Number - Both can be located on the left, rear main frame of your unit
2. All reference to left or right apply to the machine as viewed from the rear.
3. Parts should not be ordered from illustration only. Please order by complete part number.
4. If your dealer has to order parts - give shipping instructions:

VIA truck - large pieces (please specify local truck lines)

VIA United Parcel Service (include full address)

H&S Mfg. Co.	
MARSHFIELD, WIS.	
MOD. NO.	<input type="text"/>
SER. NO.	<input type="text"/>

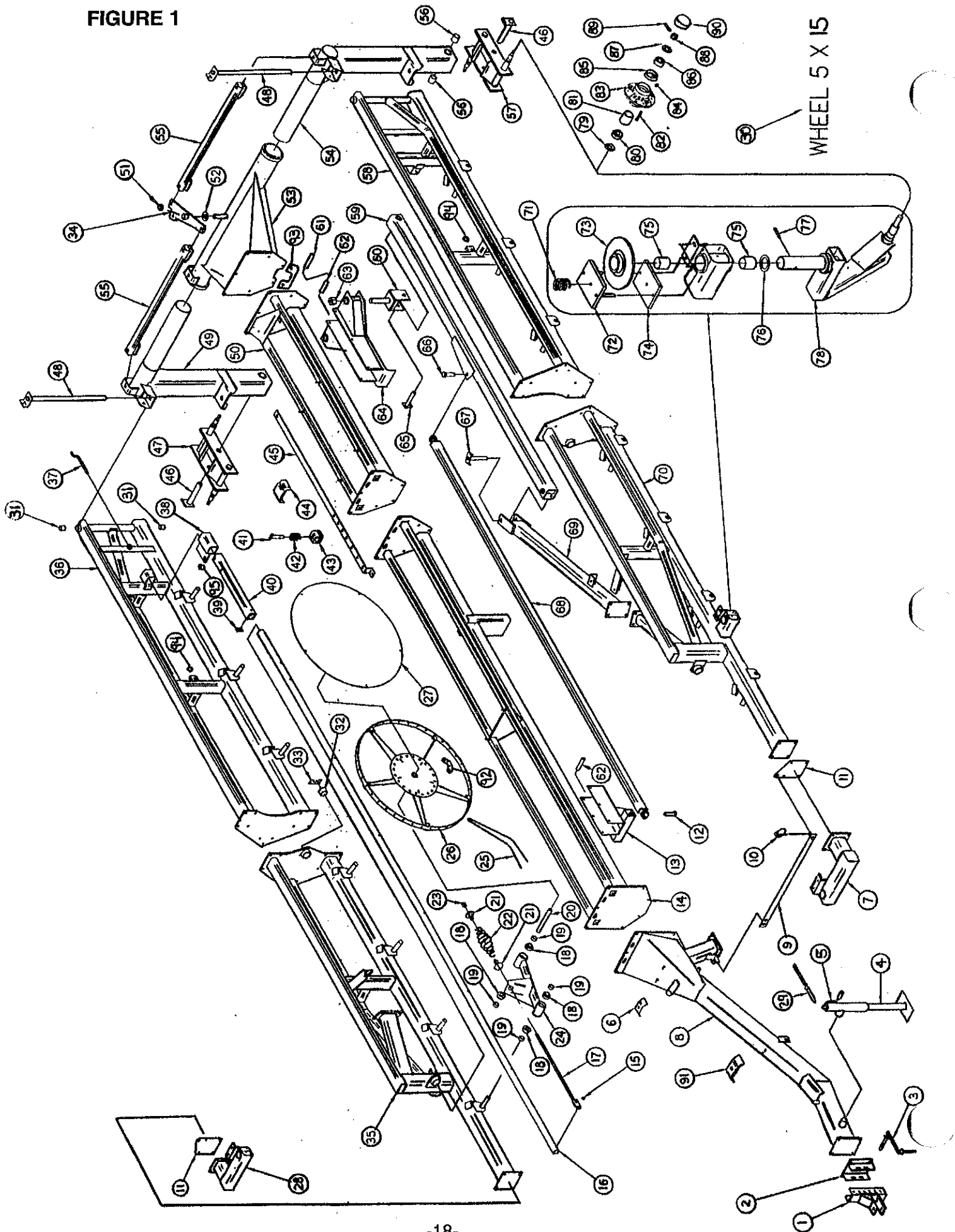
PLEASE RECORD NUMBERS FOR YOUR UNIT FOR QUICK REFERENCE

ABOUT IMPROVEMENTS

H&S IS CONTINUALLY STRIVING TO IMPROVE ITS' PRODUCTS.

We must therefore, reserve the right to make improvements or changes whenever it becomes practical to do so, without incurring any obligation to make changes or additions to the equipment previously sold.

FIGURE 1



H&S HD 14 & 18 HEAVY DUTY RAKE MAIN FRAME FIGURE 1

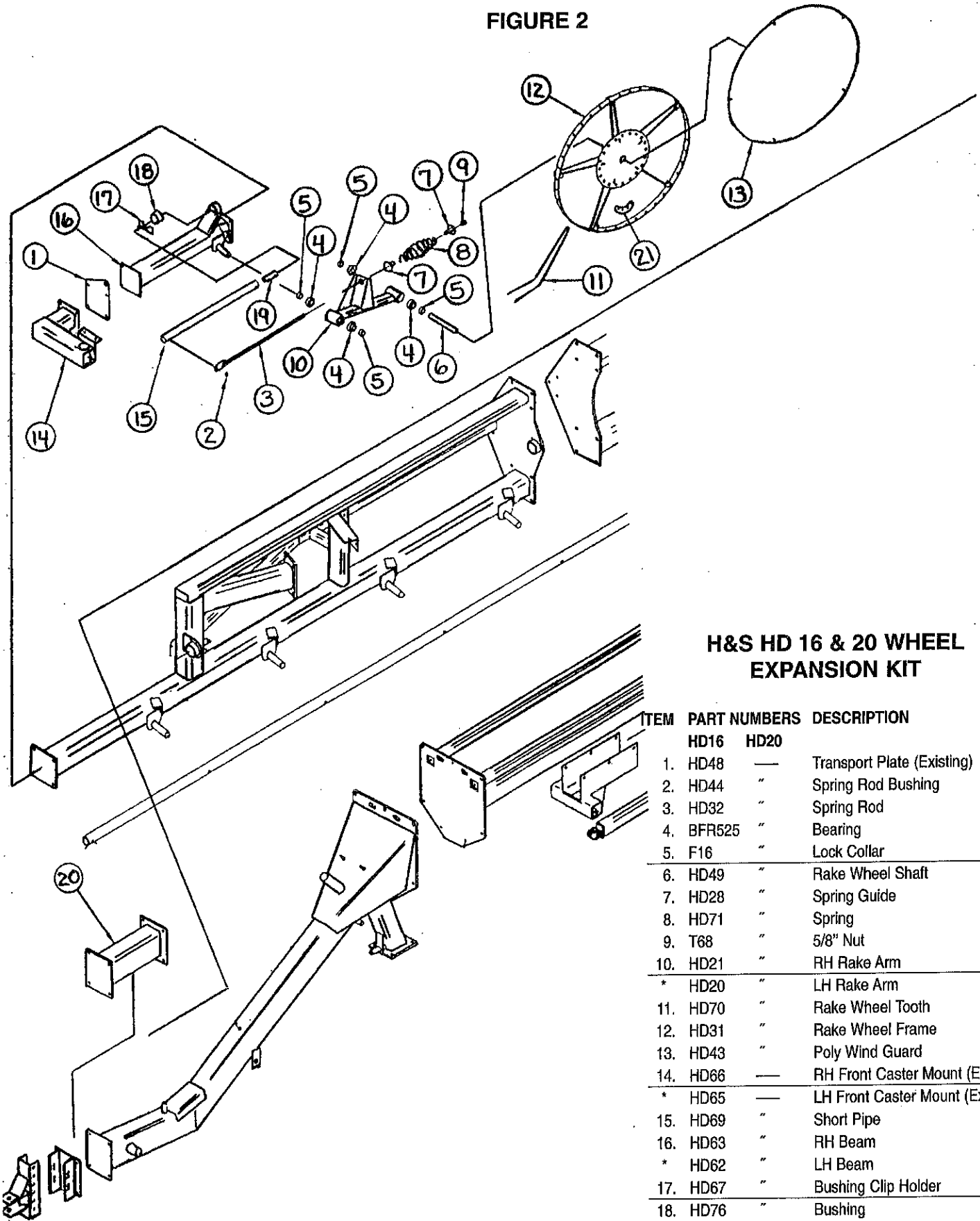
ITEM	PART NUMBERS		DESCRIPTION	ITEM	PART NUMBERS		DESCRIPTION
	HD14	HD18			HD14	HD18	
1.	BFR157	"	Hitch	48.	HD34	"	Rake Beam Pin
2.	HD25	"	Hitch Plate	49.	HD13	"	Right Axle Upright
3.	BFR450	"	Hitch Pins	50.	HD5	"	Center Pole
4.	BFR223	"	Jack	51.	S218	"	Spacer
5.	B17B	"	Jack Handle	52.	BFR229	"	Washer 1-1/4"IDx2"ODx3/16"
6.	23N67	"	Hose Bracket	53.	HD2	"	Rear Pivot
7.	—	HD65	LH Front Caster Mount	54.	HD12	"	Left Axle Upright
8.	HD7	"	Pole	55.	HD4	"	Back Link
9.	HD11	"	Transport Bar (2)	56.	BFR625	"	Bushing 1-1/2"IDx1-3/4"ODx2-1/2"
10.	BFR443	"	Lynch Pin	57.	HD22	"	LH Tandem
11.	HD48	"	Transport Plate	58.	HD9	"	Back LH Beam
12.	BFR177	"	Bolt 1" x 4" GR.5	59.	HD18	"	Pivot Linkage
13.	HD14	"	Front Slider	60.	BFR476	"	Back
14.	HD6	HD57	Front Pole	61.	BFR471	"	Back Slider Roller
15.	HD44	"	Spring Rod Bushing	62.	BFR457	"	Slider Spacer
16.	HD47	HD61	Lifting Pipe	63.	BFR481	"	1-1/2" Nut
17.	HD32	"	Spring Rod	64.	HD3	"	Back Slider
18.	BFR525	"	Bearing	65.	HD35	"	LH Pivot Yoke Shaft Pin
19.	F16	"	Lock Collar	66.	BFR544	"	1"x6" Bolt GR.5
20.	HD49	"	Rake Wheel Shaft	67.	HD36	"	Beam Arm Pin
21.	HD28	"	Spring Guide	68.	HD37	HD58	Ball Joint Pivot Arm
22.	HD71	"	Wheel Spring	69.	HD17	"	Extension Arm LH
23.	T68	"	5/8" Nut	*	HD24	"	Extension Arm RH
24.	HD21	"	RH Rake Arm	70.	HD10	HD59	Front LH Beam
*	HD20	"	LH Rake Arm	71.	HD72	"	Brake Spring
25.	HD70	"	Rake Wheel Tooth	72.	HD15	"	Top Brake Pad
26.	HD31	"	Rake Wheel Frame	73.	HD16	"	Brake Disk
*	HD74	"	RH Comp. Rake Wheel Less Poly	74.	HD73	"	Bottom Brake Pad
*	HD75	"	LH Comp. Rake Wheel Less Poly	75.	BFR527	"	Bushing 2"IDx2-1/4"ODx2"
27.	HD43	"	Poly Wind Guard	76.	RG24	"	Bronze Thrust Washer
28.	—	HD66	RH Caster Mount	77.	S106	"	Roll Pin
29.	BFR4	"	Jack Pin & Chain	78.	BFR316	"	Left Hand Fork
30.	BFR67	"	Wheel 5x15	*	BFR312	"	Right Hand Fork
31.	RG132	"	Bushing 1-1/4"ID x 1-1/2"OD x 2	79.	BFR57	"	Seal
32.	HD76	"	Bushing-Plastic	80.	BFR58	"	Inner Bearing
33.	HD45	"	Bushing Clip	81.	BFR59	"	Inner Race
34.	HD8	"	Cam Arm	82.	BFR143	"	Stud Bolt
35.	HD38	HD60	Front RH Beam	83.	BFR60	"	Hub
36.	HD26	"	Back RH Beam	84.	BFR144	"	Nut
37.	HD29	"	Acme Crank	85.	BFR61	"	Outer Race
38.	HD27	"	Cylinder Slider	86.	BFR62	"	Outer Bearing
39.	HD41	"	Stop Block	87.	BFR63	"	Washer
40.	HD30	"	Square Lifter	88.	BFR64	"	Castellated Nut
41.	BFR141	"	Adjustment Handle	89.	BFR65	"	Cotter Pin
42.	BFR240	"	Spring	90.	BFR66	"	Hub Cap
43.	BFR239	"	Sleeve Adjustment Lock	91.	T223	"	Hose Bracket
44.	HD40	"	Width Stop	92.	HD42	"	Rake Wheel Clip
45.	HD33	"	Width Adjustment Bar	93.	HD78	"	Cylinder Yoke
46.	HD19	"	Axle Pivot Pin	94.	BFR33	"	Washer
47.	HD23	"	RH Tandem	95.	K132	"	Spacer

NOTE: * (Means Not Shown)

" (Means Same as Preceding)

— (Means Not Used on This Model)

FIGURE 2

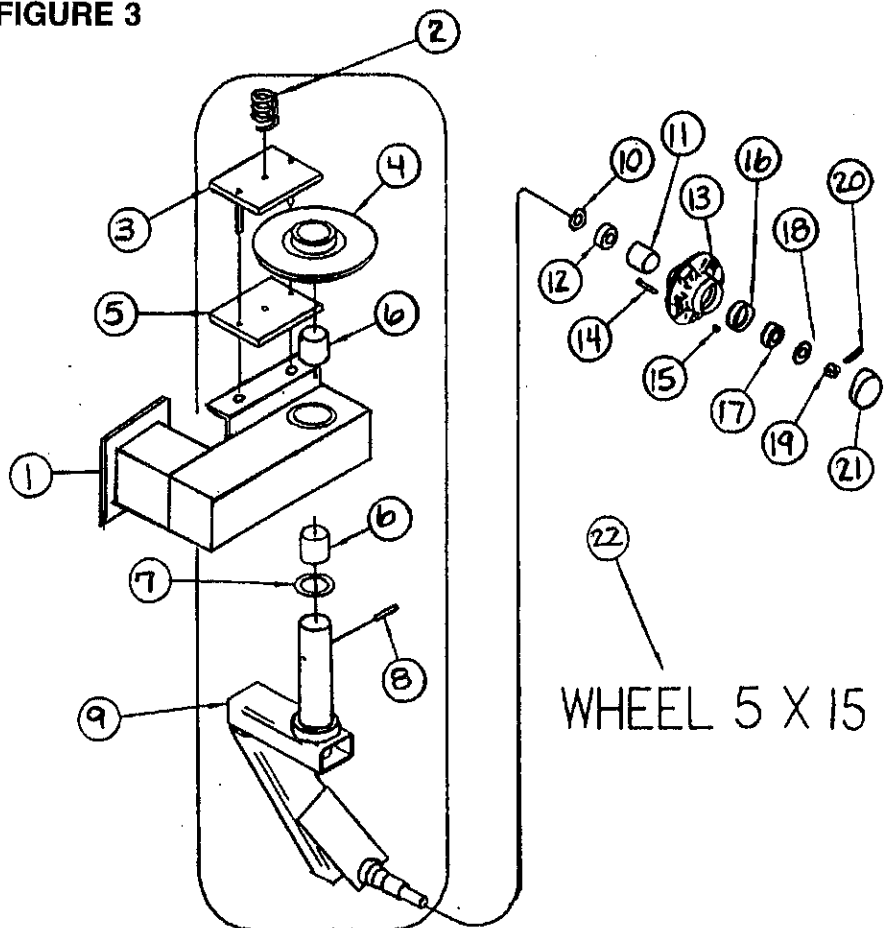


**H&S HD 16 & 20 WHEEL
EXPANSION KIT**

ITEM	PART NUMBERS		DESCRIPTION
	HD16	HD20	
1.	HD48	—	Transport Plate (Existing)
2.	HD44	"	Spring Rod Bushing
3.	HD32	"	Spring Rod
4.	BFR525	"	Bearing
5.	F16	"	Lock Collar
6.	HD49	"	Rake Wheel Shaft
7.	HD28	"	Spring Guide
8.	HD71	"	Spring
9.	T68	"	5/8" Nut
10.	HD21	"	RH Rake Arm
*	HD20	"	LH Rake Arm
11.	HD70	"	Rake Wheel Tooth
12.	HD31	"	Rake Wheel Frame
13.	HD43	"	Poly Wind Guard
14.	HD66	—	RH Front Caster Mount (Existing)
*	HD65	—	LH Front Caster Mount (Existing)
15.	HD69	"	Short Pipe
16.	HD63	"	RH Beam
*	HD62	"	LH Beam
17.	HD67	"	Bushing Clip Holder
18.	HD76	"	Bushing
19.	HD68	"	Coupler
20.	HD64	"	Pole Extension
21.	HD42	"	Rake Wheel Clip

NOTE: * (Means Not Shown)
 " (Means Same as Preceding)
 — (Means Not Used on This Model)
NOTE: (RH Shown)

FIGURE 3



H&S HD GAUGE WHEEL
HD 14 (Optional)
HD 16-18-20 (Standard)

ITEM	PART NUMBER	DESCRIPTION
1.	HD66	RH Front Caster Mount
*	HD65	LH Front Caster Mount
2.	HD72	Brake Spring
3.	HD15	Top Brake Band
4.	HD16	Brake
5.	HD73	Bottom Brake Band
6.	BFR527	Bushing
7.	RG24	Bronze Thrust Washer
8.	S106	Roll Pin
9.	BFR316	LH Fork
*	BFR312	RH Fork
10.	BFR57	Seal
11.	BFR59	Inner Race
12.	BFR58	Inner Bearing
13.	BFR60	Hub
14.	BFR143	Stud Bolt
15.	BFR144	Nut
16.	BFR61	Outer Race
17.	BFR62	Outer Bearing
18.	BFR63	Washer
19.	BFR64	Castellated Nut
20.	BFR65	Cotter Pin
21.	BFR66	Hub Cap
22.	BFR67	Wheel 5x15

NOTE: * (Means Not Shown)

FIGURE 4

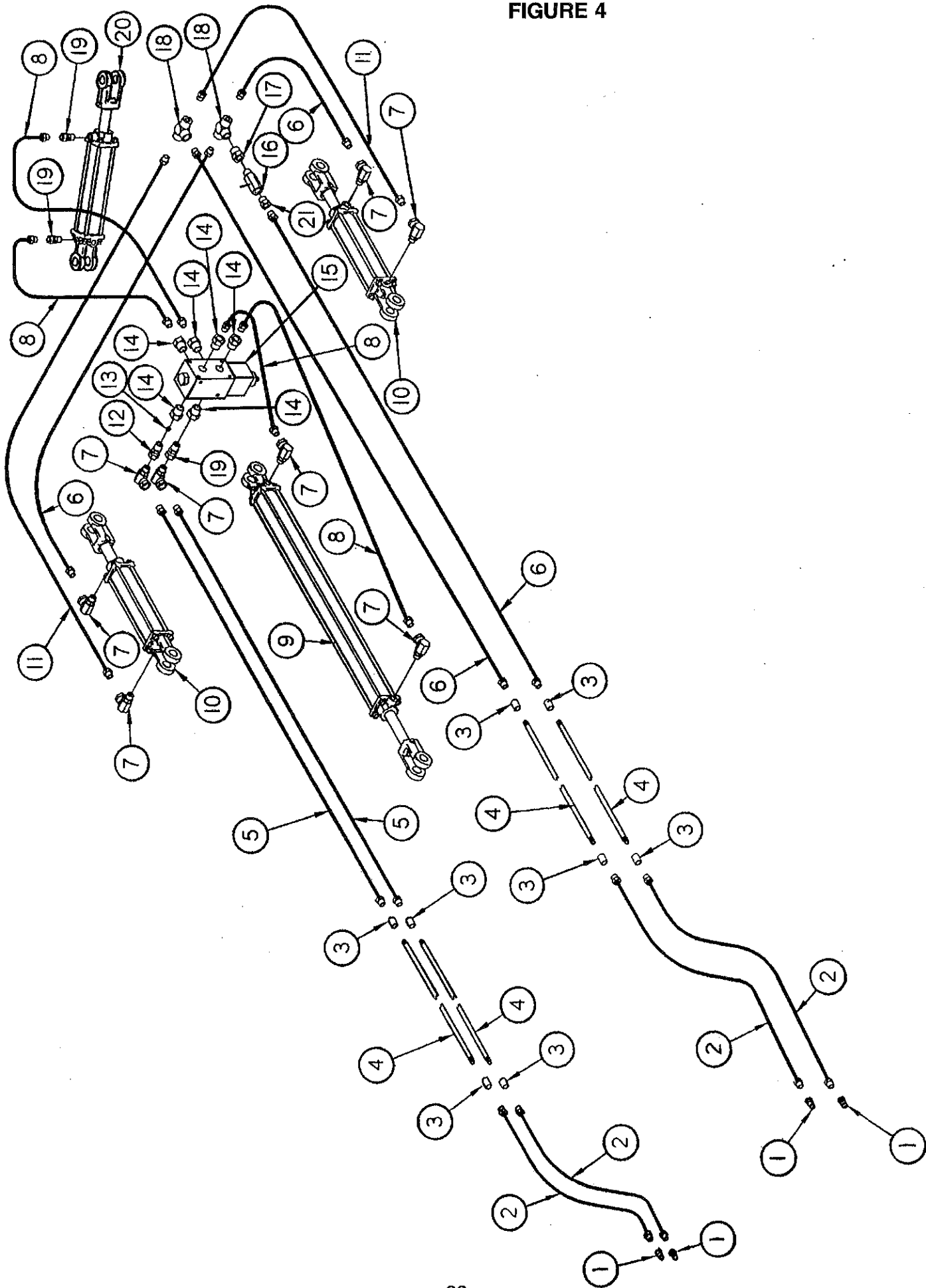
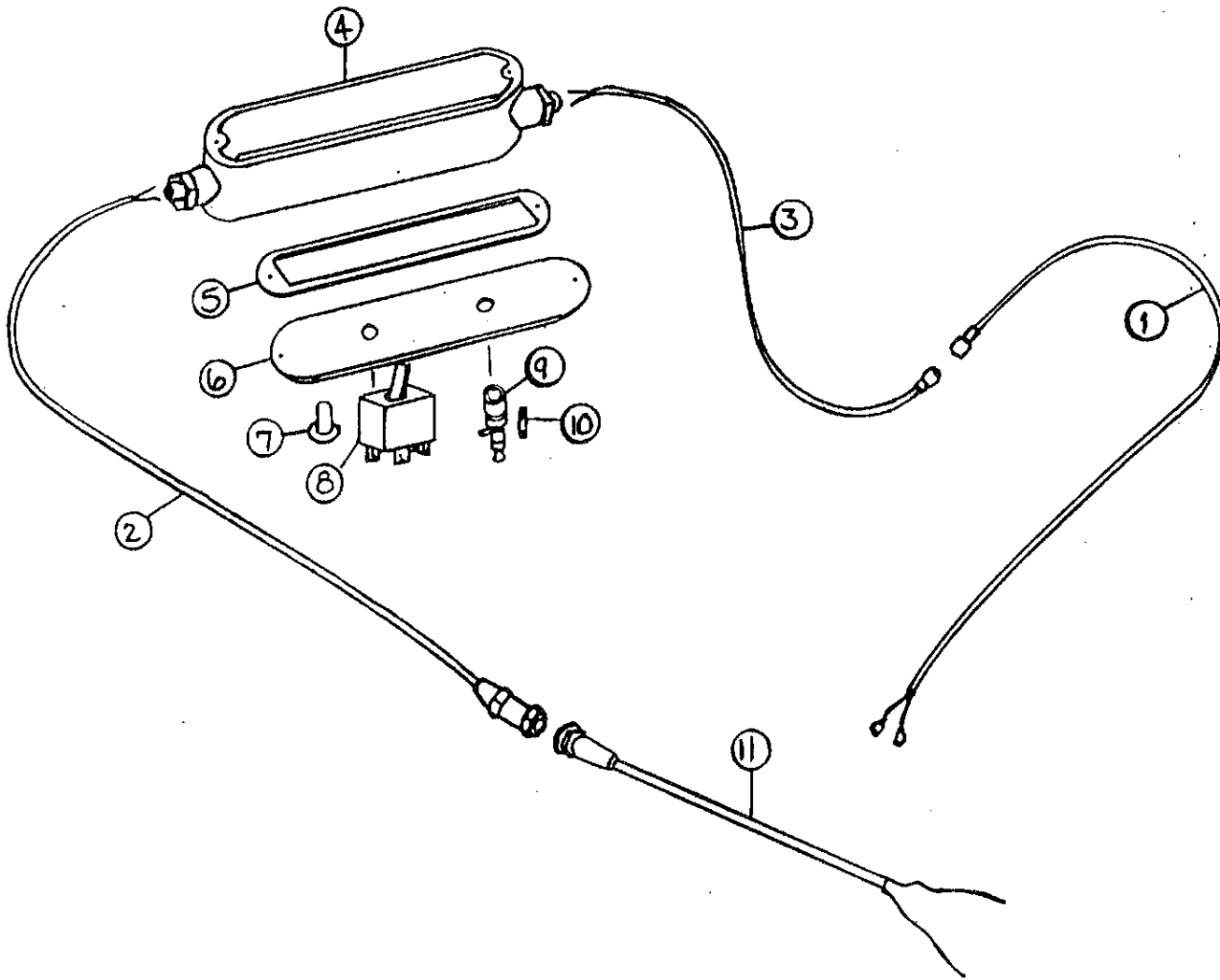


FIGURE 4
HD RAKE HYDRAULICS

ITEM	PART NUMBER	DESCRIPTION
1.	DWM205	Male Coupler
2.	HD77	3x8x155"-3/8 MP & 1/2 MP
3.	HE60	3/8" Pipe Coupler
4.	HD46	3/8" Steel Lines (HD14 & HD16)
*	HD50	3/8" Steel Lines (HD18 & HD20)
5.	HD51	3/8"x72"-3/8 MP & 3/8 MP
6.	HD52	3/8"x96"-3/8" MP & 3/8 MP
7.	DWM110	3/8" 90° Male Union Adapter
8.	HD53	3/8"x48"-3/8 MP & 3/8 MP
9.	HD55	2-1/2"x36" Cylinder
10.	16SV171A	2"x10" Cylinder
11.	HD54	3/8"x108"-3/8 MP & 3/8 MP
12.	BFR122	3/8" Male Union Adapter
13.	BFR120	1/16" Orifice
*	BFR617	Union Adapter w/Orifice
14.	WM148	3/4" O-Ring to 3/8" Pipe Adapter
15.	16SV247	Electric Valve
16.	BFR554	Flow Valve
17.	BFR555	1/2" to 3/8" Adapter
18.	BFR74	3/8" Female Tee
19.	DWM233	3/8" Male Union Adapter
20.	T188A	2-1/2"x8" Cylinder
21.	JB82	3/8"-1/2" Bushing

NOTE: * (Means Not Shown)

FIGURE 5

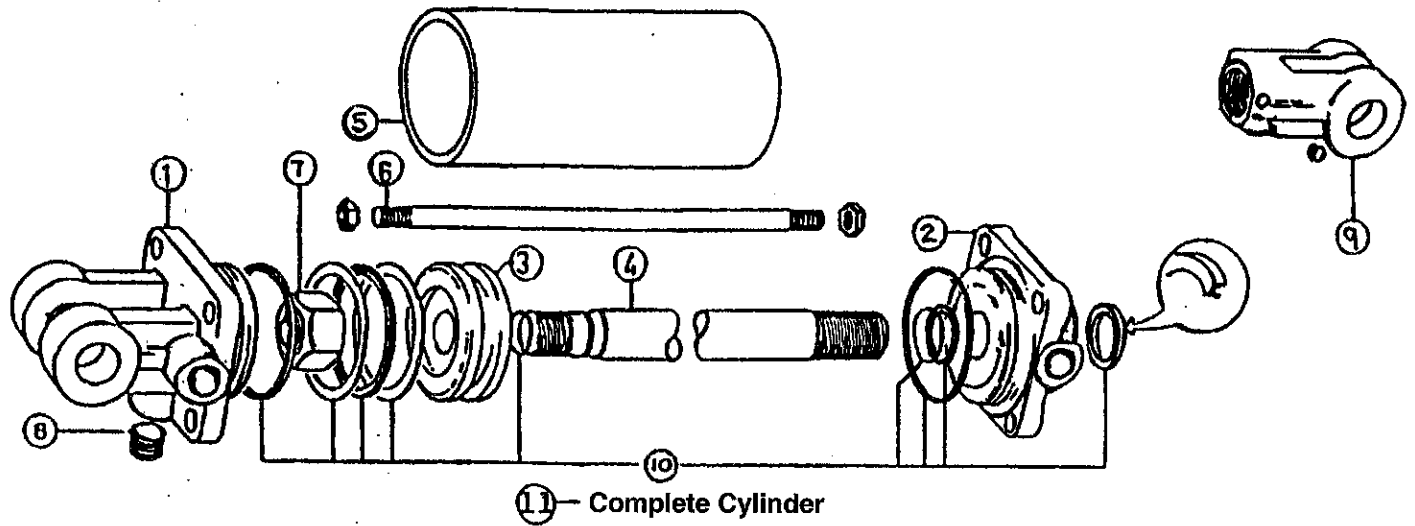


H&S HD ELECTRIC CONTROL BOX

ITEM	PART NUMBER	DESCRIPTION
1.	HD1	Rake Power Supply Cord w/Ends
2.	16SV271	Control Box Power Supply W/Plug in Slots
3.	16SV270	Tractor Power Supply w/Pins
4.	16SV316	Control Box
5.	16SV317	Control Box Gasket
6.	16SV318	Control Box Cover
7.	16SV235	Switch Boot
8.	WM109	Switch
9.	16SV231	Fuse Holder
10.	16SV232	Fuse
11.	16SV269	Tractor Control Cord
*	HD56	Control Box Complete

NOTE: * (Means Not Shown)

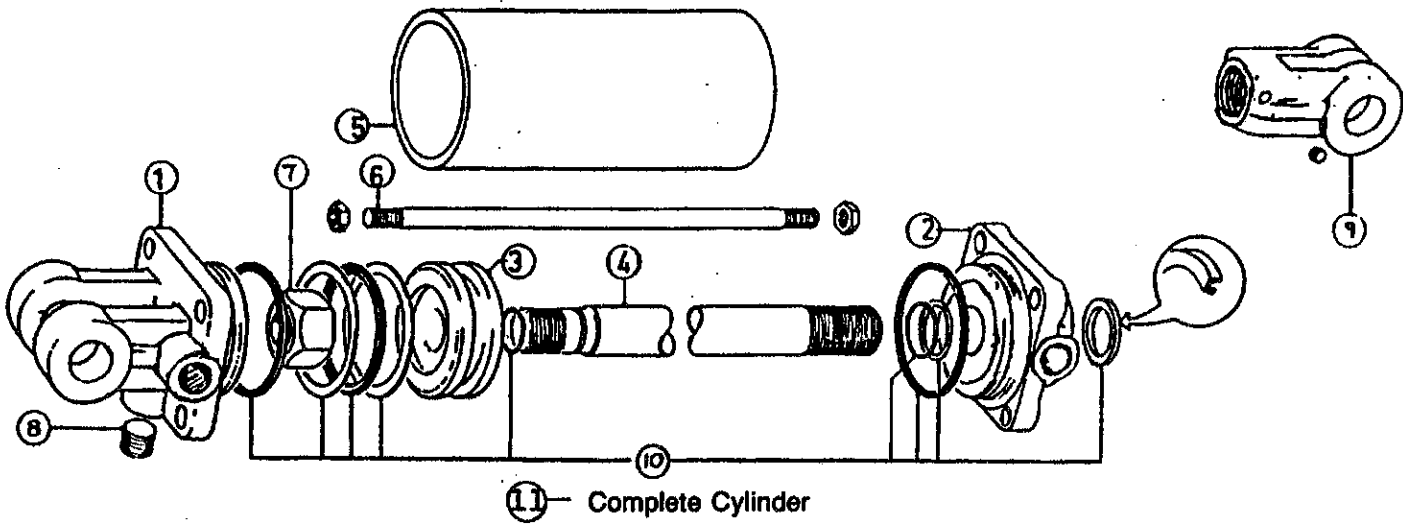
FIGURE 6



HYDRAULIC LIFT CYLINDER (2"x10")

ITEM	PART NUMBER	DESCRIPTION
1.	23N142A	Clevis Cap
2.	23N143A	Rod Cap
3.	23N144	Piston
4.	16SV168A	Rod
5.	16SV169	Cylinder Tube
6.	16SV170	Tie Rod
7.	23N148	Piston Nut
8.	23N149	Plug
9.	23N150A	Rod Clevis
10.	23N151	Seal Kit
11.	16SV171A	Complete Hydraulic Cylinder

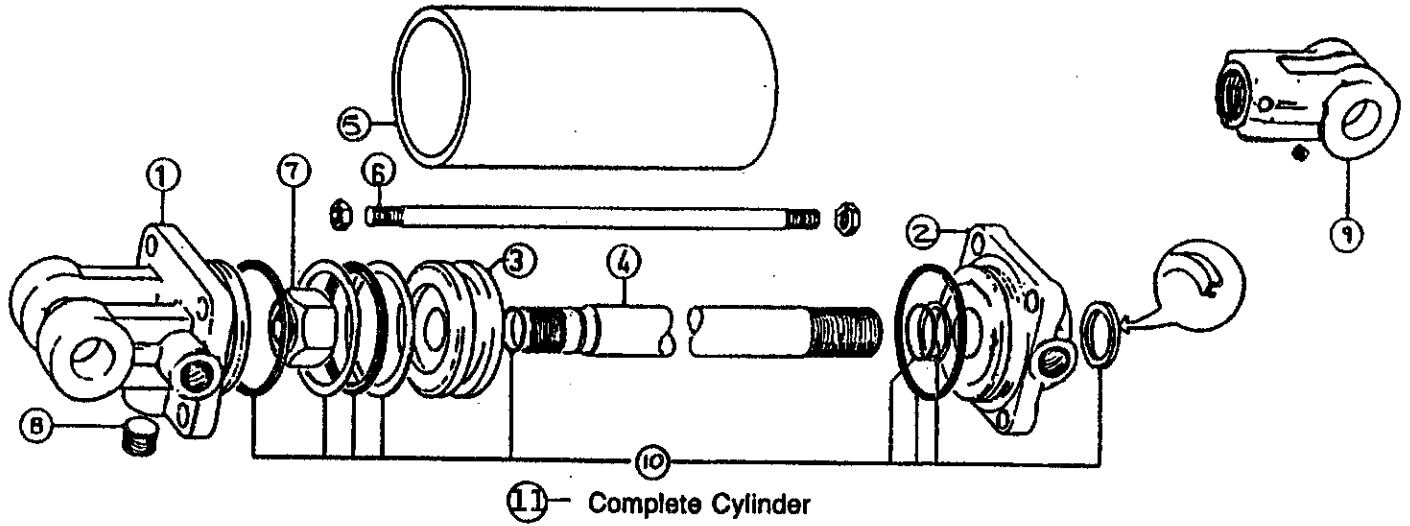
FIGURE 7



HYDRAULIC WINDROW ADJUSTMENT CYLINDER (2-1/2"x8")

ITEM	PART NUMBER	DESCRIPTION
1.	T181A	Clevis Cap
2.	T182A	Rod Cap
3.	T183	Piston
4.	T184A	Rod
5.	T185	Cylinder Tube
6.	T186	Tie Rod
7.	23N148	Piston Nut
8.	23N149	Plug
9.	23N150A	Rod Clevis
10.	T187	Seal Kit
11.	T188A	Complete Cylinder

FIGURE 8



HYDRAULIC OPENING CYLINDER (2-1/2"X36")

ITEM	PART NUMBER	DESCRIPTION
1.	T181A	Clevis Cap
2.	50N181	Rod Cap
3.	T183	Piston
4.	HD79	Rod
5.	HD80	Cylinder Tube
6.	HD81	Tie Rod
7.	23N148	Piston Nut
8.	23N149	Plug
9.	23N150A	Rod Clevis
10.	50N182	Seal Kit
11.	HD55	Complete Cylinder

